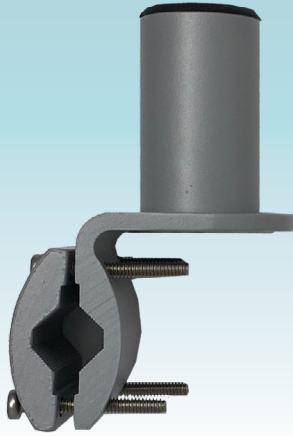




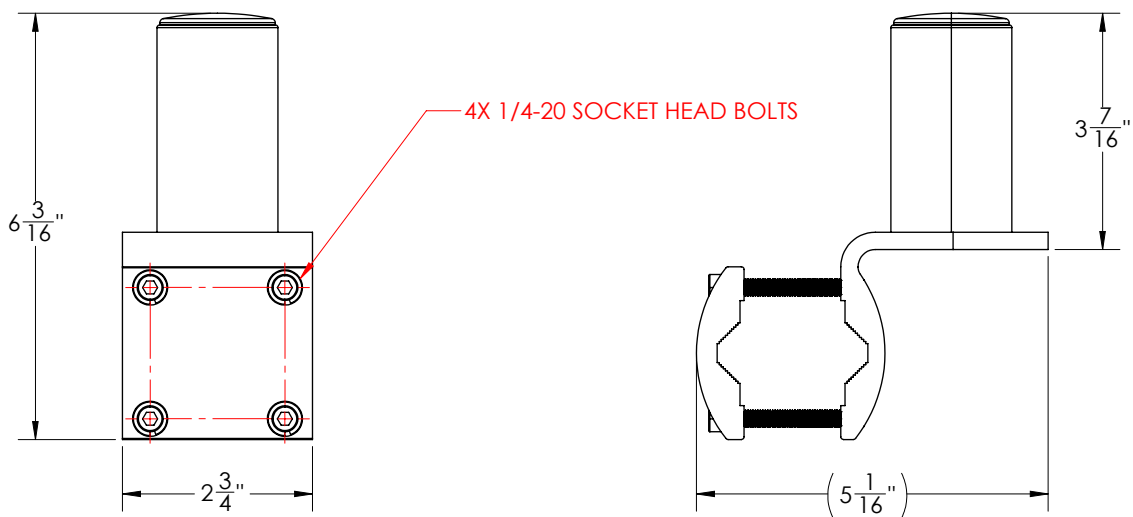
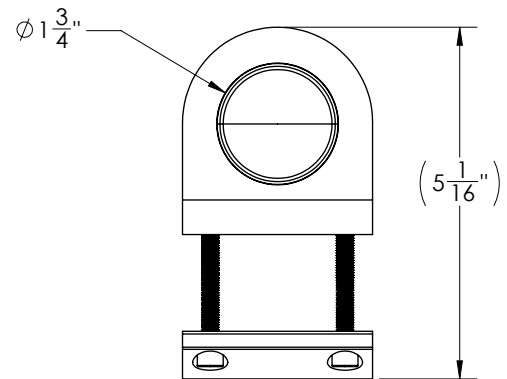
SHADEFIN[®] MINI SQUARE RAIL MOUNT



The ShadeFin Mini Square Rail Mount can be used on square rail from 1" to 1-1/2" outside diameter. The Square Rail Mount's secure design can be mounted either vertically or horizontally, depending on your preference.

FEATURES & BENEFITS

- Includes mounting hardware
- Constructed out of aluminum grade-6061 alloys with stainless steel Type-304 screws
- Includes injection-molded nylon cap



PART #	DESCRIPTION	FINISH	UOM	UPC
T10-4000-9	ShadeFin [®] Mini Square Rail Mount	Powder Coated, Misty Silver	Each	631191091876